



G-PROJECT™

G-POP

TRAVEL WIRELESS SPEAKER



Wireless
Bluetooth



Rechargeable Battery
8 Hours Play Time



Hands-free
Speakerphone



G-PROJECT™

Welcome to G-PROJECT™

Thanks for purchasing G-POP and joining G-Project. With just the right combination of performance, durability, features, and style at the right price, our goal is to provide rugged speakers and accessories that fit your lifestyle. We hope you agree.

For more info, please visit our website at [**www.enterG-project.com**](http://www.enterG-project.com)

PACKAGE CONTENTS:

- G-POP Travel Wireless Speaker
- AC Power Adapter
- USB / Charging Cable
- User Guide

SAFETY PRECAUTIONS

- a. Read these instructions.
- b. Keep these instructions.
- c. Heed all warnings.
- d. Follow all instructions.
- e. Do not use this apparatus near water.
- f. Clean only with dry cloth.
- g. Do not block any ventilation openings. Install in accordance with the manufacturer's instructions.
- h. Do not install near any heat sources such as radiators, heat registers, stoves, or other apparatus (including amplifiers) that produce heat.
- i. Only use attachments / accessories specified by the manufacturer.
- j. Refer all servicing to qualified service personnel. Servicing is required when the apparatus has been damaged in any way, such as the power supply cord or plug is damaged, liquid has been spilled or object have fallen into the apparatus, the apparatus has been exposed to rain or moisture, does not operate normally, or has been dropped.
- k. Apparatus shall not be exposed to dripping or splashing.
- l. Do not place any sources of danger on top of the apparatus (e.g. liquid filled objects, lighted candles).



G-PROJECT™



WARNING:

- Never remove the casing of this apparatus.
- Never lubricate any part of this apparatus.
- Never place this apparatus on other electrical equipment.

NOTICE: This device complies with Part 15 of the FCC Rules. Operation is subject to the following two conditions:

1. this device may not cause harmful interference, and
2. this device must accept any interference received, including interference that may cause undesired operation.

This equipment has been tested and found to comply with the limits for a Class B digital device, pursuant to part 15 of the FCC Rules and ICES-003 of Industry Canada. These limits are designed to provide reasonable protection against harmful interference in a residential installation. This equipment generates, uses, and can radiate radio frequency energy and, if not installed and used in accordance with the instruction manual, may cause harmful interference to radio communications.

However, there is no guarantee that interference will not occur in a particular installation. If this equipment does cause harmful interference to radio or television reception, which can be determined by turning the equipment off and on, the user is encouraged to try to correct the interference by one or more of the following measures:

- Reorient or relocate the receiving antenna.
- Increase the separation between the equipment and receiver.
- Connect the equipment into an outlet on a circuit different from that to which the receiver is connected.
- Consult the dealer or an experienced radio/TV technician for help.

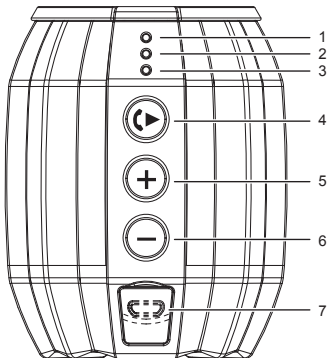
RF Radiation Exposure Statement: This equipment complies with FCC's and IC's RF radiation exposure limits set forth for an uncontrolled environment. The antenna(s) used for this transmitter must be installed and operated to provide a separation distance of at least 20 cm from all persons and must not be collocated or operating in conjunction with any other antenna or transmitter. Installers must ensure that 20cm separation distance will be maintained between the device (excluding its handset) and users.



G-PROJECT™

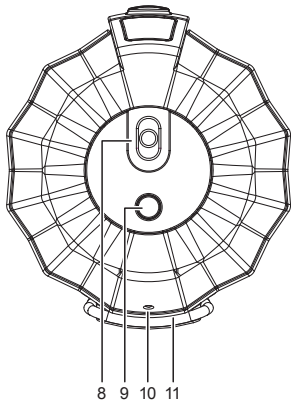
LOCATION OF CONTROLS

1. White Power LED
2. Red Charging LED
3. Bluetooth LED
4. Play/Pause and Speakerphone Button
5. Volume + Button
6. Volume - Button
7. USB Charging / AUX port



G-POP

TRAVEL WIRELESS SPEAKER



- 8. Function Switch
- 9. Pair Button
- 10. Microphone
- 11. Metal Carry Clip



G-PROJECT™

POWER SOURCE

The G-POP can operate on the built-in rechargeable battery for up to 8 hours.

To recharge the built-in battery: Connect your G-POP with your PC/MAC through the supplied USB Charging cable.

NOTE: The RED Charging LED indicator turns on while charging. The power indicator turns off when G-POP is fully charged.

BLUETOOTH OPERATION

You can stream audio wirelessly to G-POP from up to 33' away using your iPhone, iPad, iPod, Android, laptop or other A2DP Bluetooth enabled device.

- 1 Slide the function switch to select Bluetooth audio source.
- 2 The BLUE LED on G-POP will flash.
- 3 Activate the Bluetooth function on your Bluetooth compatible device.
- 4 Select "G-POP" on your Bluetooth device for pairing.
- 5 The speaker will beep twice and the BLUE LED on G-POP will change from flashing to solid, indicating that your Bluetooth device is connected to G-POP and you can begin streaming music.
- 6 Press and hold the Pairing button to disconnect the bluetooth and clear the memory list. The speaker will beep twice when complete.

NOTE: For some devices, you may need to input "0000" as pairing password.



G-PROJECT™

RECEIVING A PHONE CALL

You can use G-POP as a speakerphone when receiving or making phone calls.

- 1 When a call is received, press the Play/Pause button to answer the call.
- 2 Press the Play/Pause button again to hang up and end the call.
- 3 When a call is received that you do NOT wish to answer, press and hold the Play/Pause button to ignore the call.

NOTE: Speaking directly towards the built-in microphone on G-POP will produce the best sound quality during the phone call.

LINE IN CONNECTION

- 1 Slide function switch towards AUX to select Aux-in audio source. The Power LED indicator will turn WHITE.
- 2 Connect G-POP with an external device through the supplied USB cable.
- 3 Start music play on your device.



G-PROJECT™

TROUBLESHOOTING

Issue	Solution
Distortion	Lower the volume on your G-POP and/or audio source
Not loud enough	Turn up the volume on your G-POP and/or audio source
No sound	Recharge the batteries using the included Power Adapter
	If using Bluetooth, move the audio source and G-POP closer together (within the 33' range)
	Unpair G-POP from your Bluetooth device then re-pair following the steps in the section BLUETOOTH OPERATION
Cannot play audio via Bluetooth	Confirm your device is A2DP Bluetooth compatible. Ensure that both your Bluetooth device and G-POP are not connected to any other devices
	If your G-POP is connected to a Line In source, the Bluetooth will not function. Unplug the 3.5mm Line In cable and press the Pair Button to switch to Bluetooth
	Unpair G-POP from your Bluetooth device then re-pair following the steps in the section BLUETOOTH OPERATION

G-POP

TRAVEL WIRELESS SPEAKER

SPECIFICATIONS

Class 2 Bluetooth Ranges	33ft (10m)
Supported Bluetooth profile.....	HFPv1.6, AD2Pv1.2, HSPv1.2
Power.....	2W RMS
Signal to Noise ratio	>70dB
Battery.....	3.7V, 500mAh, Rechargeable Li-Polymer
Battery Playback Time.....	Up to >8 hours
Power Adaptor AC Input	100-240V 50-60Hz
USB Jack DC Power Input	5V 500mA

NOTE: Specifications are subject to change without notice.



G-PROJECT™

NOTES

G-POP

TRAVEL WIRELESS SPEAKER

NOTES



G-PROJECT™

For further assistance, please visit our website at ***www.enterG-project.com***
or contact customer service at ***support@enterG-project.com***
or ***1-855-896-1795***

Life Lab International Ltd.